

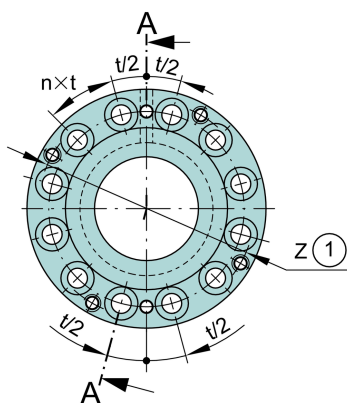
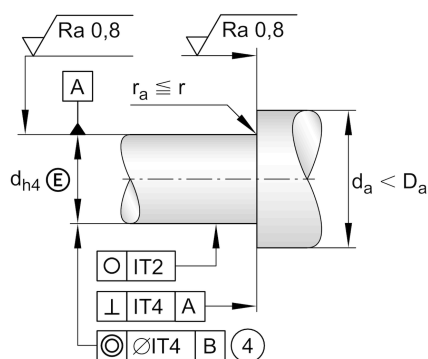
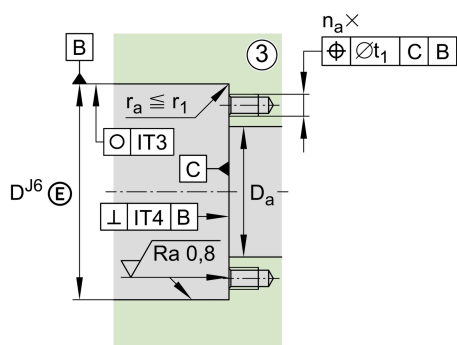
ZARF45105-TV

Needle roller/axial cylindrical roller bearing

Schaeffler ID:
0016825390000

Needle roller/axial cylindrical roller bearings ZARF, double direction, for screw mounting

Technical information

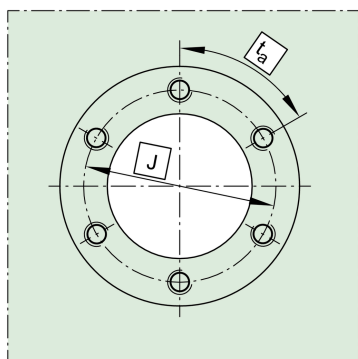
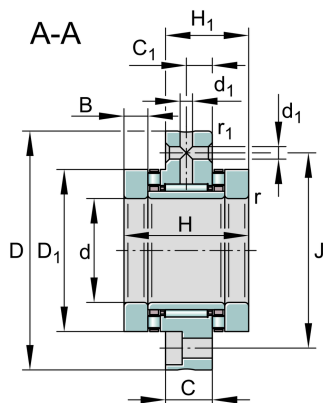


Main Dimensions & Performance Data

d	45 mm	Bore diameter
D	105 mm	Outside diameter
H	60 mm	Height
C_r	38,000 N	Basic dynamic load rating, radial
C_{0r}	74,000 N	Basic static load rating, radial
C_a	61,000 N	Basic dynamic load rating, axial
C_{0a}	177,000 N	Basic static load rating, axial
C_{ur}	10,400 N	Fatigue load limit, radial
C_{ua}	15,500 N	Fatigue load limit, axial
$n_{G \text{ Grease}}$	1,500 1/min	Limiting speed for grease lubrication
$n_{G \text{ Oil}}$	4,000 1/min	Limiting speed for oil lubrication
M_{RL}	1.2 Nm	Bearing friction torque
	1.563 kg	Weight

Dimensions

H_1	40 mm	Height outer ring over wave washer
c_{aL}	3,000 N/ μm	Rigidity axial
c_{kL}	1,340 Nm/mrad	Tilting stiffness
C	22.5 mm	Width, outer ring
	1 μm	Axial runout
C_1	12.5 mm	Distance to lubrication hole
D_1	70 mm	Rip diameter shaft washer
M_A	65 Nm	Tightening torque nut
	15,112 N	Preload force axial
B	11.5 mm	Width, inner ring
r_{min}	0.3 mm	Minimum chamfer dimension
$r_{1 \text{ min}}$	0.6 mm	Minimum chamfer dimension
d_1	6 mm	Diameter lubrication hole
J	85 mm	Pitch circle diameter (holes)
$n \times t$	45 °	Split
t_1	0.2 mm	Position bore in the housing



Mounting dimensions

$D_{a\ max}$	71 mm	Maximum diameter of housing shoulder
$d_{a\ min}$	60 mm	Minimum diameter shaft shoulder
	ZMA45/68	Locknut 1
	AM45	Locknut 2
n	8	Number (screwing holes)
	M8	Screw size
M_M	5.33 kg * cm ²	Mass moment of inertia
n	8	Number of screws
na x ta	45 °	Division (screwing holes)